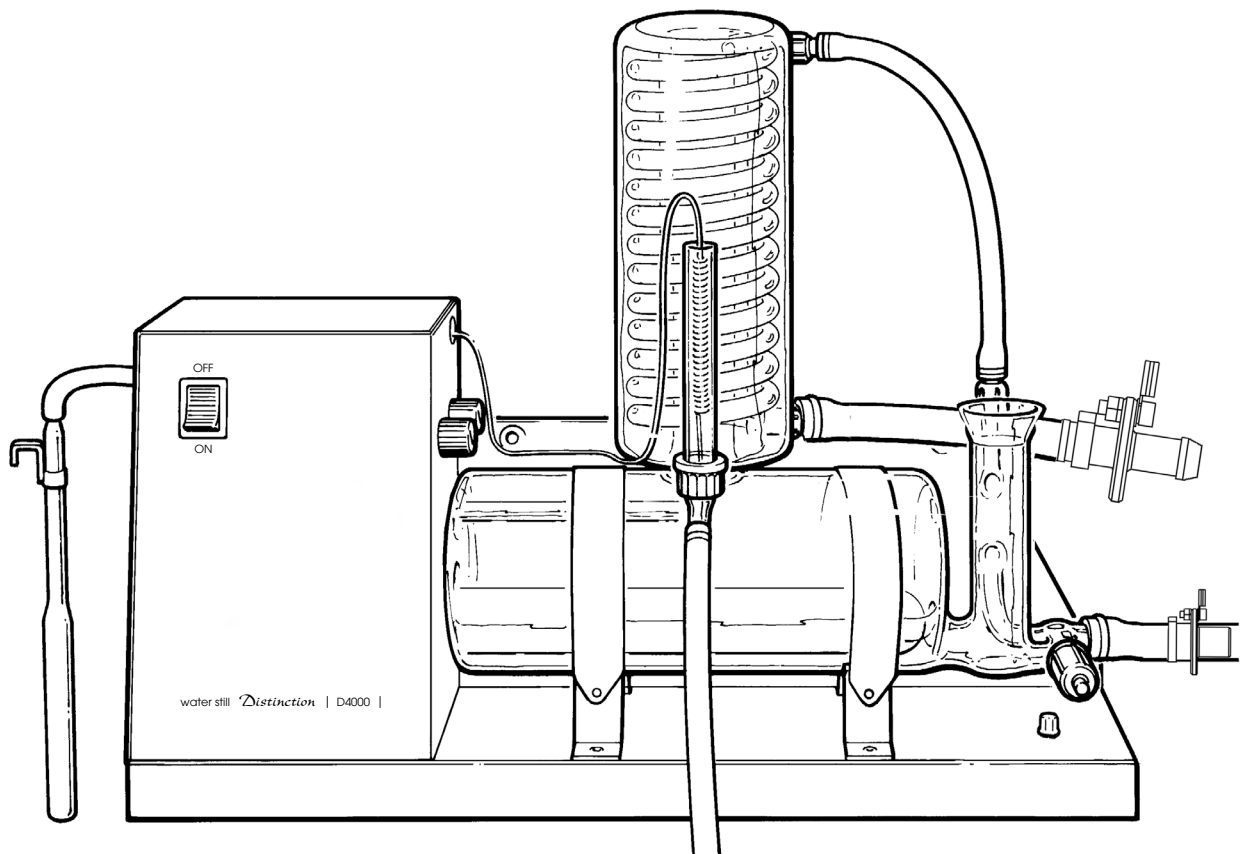




Distinction Water Still D4000 & D4000/EURO

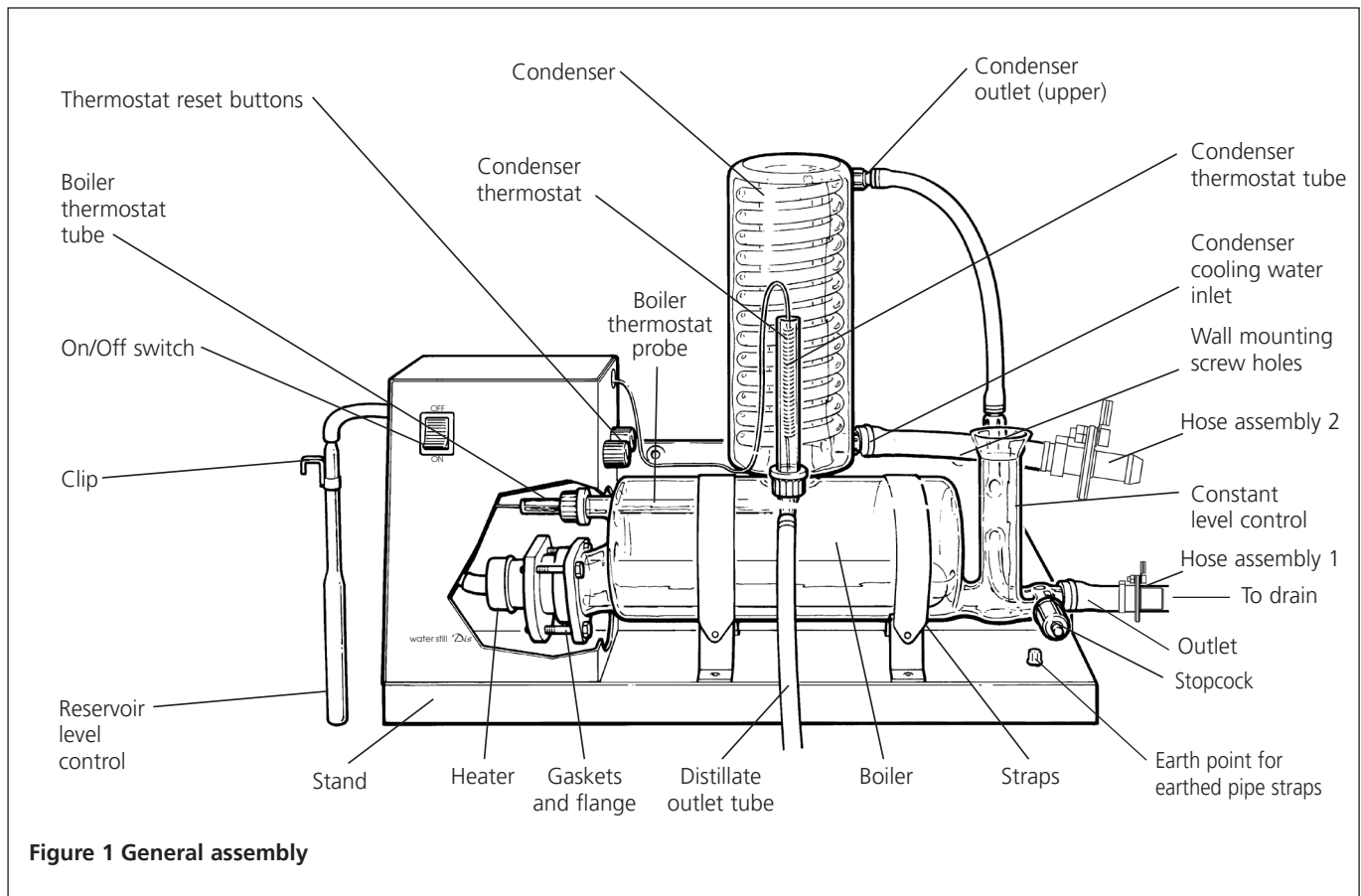


Instruction Manual Manuel d'utilisation 700596 / 03 2017

Distribué par
Le Laborantin
www.lelaborantin.com
clients@lelaborantin.com

 **Cole-Parmer®**

Distinction Water Still D4000 & D4000/Euro



Before use

If the equipment is not used in the manner described in this manual the protection provided by the equipment may be impaired.

N.B. The Distinction Water Still is classified as "Permanently Connected Equipment" and should be connected to the electricity supply by a qualified electrician in the manner described in the electrical installation section of this manual.

The Distinction Water Still is designed to operate under the following conditions:

- ❖ For indoor use only
- ❖ Ambient temperature range +5°C to +40°C
- ❖ Altitude up to 2000m
- ❖ Relative humidity not exceeding 80%
- ❖ Mains supply voltage fluctuations not greater than ±10% of nominal
- ❖ Overvoltage category II IEC60364-4-443
- ❖ Pollution degree 2 IEC664

Location

The Distinction Water Still can be wall or bench mounted. Select a convenient location which has access to the following services:-

Electricity Supply

Before connection please ensure that the line supply is suitable. The Distinction Water Still is available in two models, model no. D4000 for supplies rated at 3kW, 220-240V 50/60 Hz single phase and model no. D4000/EURO for supplies rated at 3kW, 200-230V, 50/60Hz, single phase. All units should be connected to the mains supply via a double pole 30mA RCD isolating circuit breaker rated at 15A

Water Supply

A cold water supply capable of providing a minimum flow rate of 60 l/hr.

Drain

A waste water drain located below the level of the Still so that the drain pipe can fall away straight without kinks or bends, to allow an unimpeded flow. All water supplies and drainage systems should be properly earth bonded.

Reservoir

A distillate collection reservoir should be located beneath the Still.

Assembly

1. Unpack the Still and identify the following components:-

Qty.	Component	Catalogue No.
1	Support Stand	-
1	Boiler	D4000/B
1	Condenser	WC48/M2
1	Heating element	D240H for D4000 D220H for D4000/EURO
1	Hose kit	W4000/HK
1	Gasket kit	D4000/GK
1	Boiler thermostat tube	WTT48
1	Condenser thermostat tube	A515414
2	Plastic connecting caps	QC18/11
2	Silicone rubber rings	QR18/7 and QR18/10
1	P.T.F.E washer	QW18/7
1	Reservoir level control	WLS

2. Remove the end cover from the electrical compartment by undoing the retaining screws in the left hand panel.

3. Take the metal stand and place in the desired location. Note that 2 screw holes are provided for wall mounting.



If wall mounting you must ensure you use appropriate wall fixings that can hold a minimum weight of 80KG. If you are in any doubt seek professional advice.

4. Take the boiler, the heater and the gasket kit and assemble as shown in **figure 2**.

i) Place the bolts through the metal flange in the manner shown and then place the metal flange over the tapered glass tube of the boiler.

ii) Take the plastic insert and bend it round the glass tube and into the metal flange. Pull the flange and insert towards the open end of the glass tube until the insert presses on the glass.

iii) Place the aluminium plate, followed by the silicone ring over the heating element and locate approximately 40-45mm from the end with the electric cable, see fig. 2.

iv) Insert the heating element through the tapered glass tube and into the boiler – ensure that there is clearance at the inside end and no danger of the end of the element pressing against the end of the boiler.

v) Insert the three bolts into the threaded holes in the aluminium plate and evenly tighten. Check element is secure and horizontal but do not over tighten bolts.

vi) Ensure the heating element is horizontal within the boiler

5. Take the two metal straps and attach the springs to the rear of the “cradles” on the stand. Place the assembled boiler and element onto the “cradle” of the stand. Slide the assembly along until the protruding end of the element is located inside the electrical compartment.

N.B. A “pip” on the bottom of the boiler locates in a hole in the right-hand cradle.

Ensure that the boiler thermostat probe is located in the thermostat tube.

Attach the free ends of the straps to the front of the cradle to secure the boiler in place.

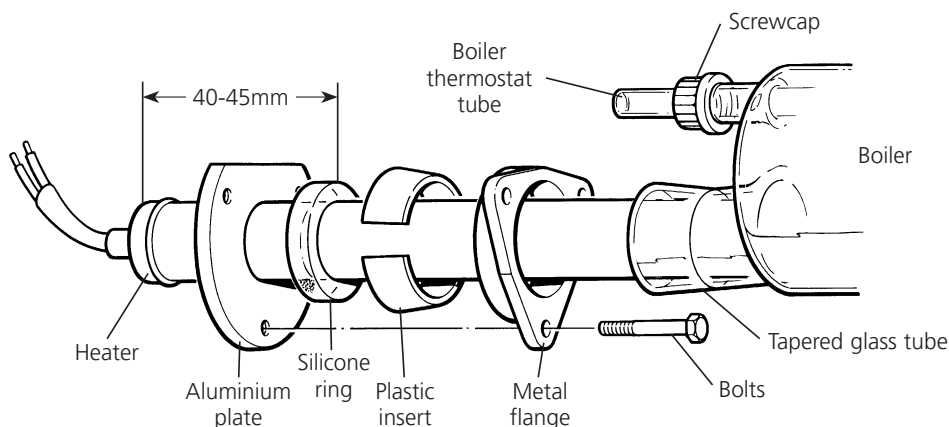


Figure 2 Heater and thermostat tube assembly

- Connect the heater cable as shown in **figure 3a**.
 - Push wires fully into block.
 - Ensure screw terminations are tight.

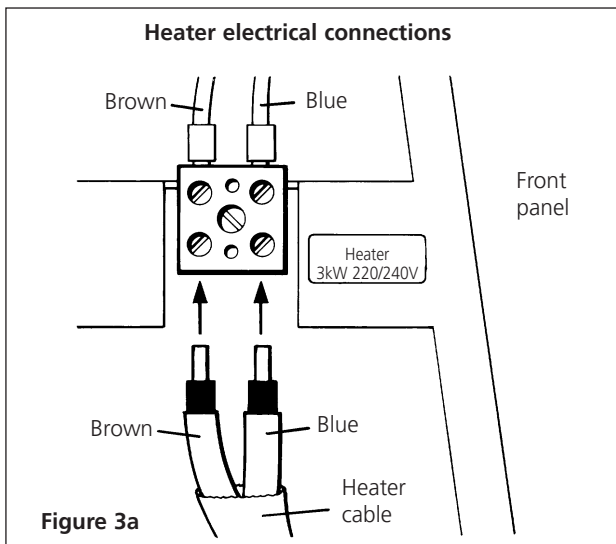


Figure 3a

- Ensure that the sealing o-ring and stabilising o-ring are correctly positioned, as shown in Figure 3c. Fit the condenser WC48/M2 by mounting it onto the vapour tube of the boiler. Ensure the distillate outlet tube of the condenser faces the front and the cooling outlet faces parallel to the unit.
- From the hose kit take the length of 8mm bore hose fitted with the plastic screwthread connectors at either end. Referring to **figure 1**, screw one end of the hose to the condenser outlet (upper) and the other end to the glass thread on the constant level control.
- Refer to fig. 3d. Carefully attach the end of the short 16mm bore hose of hose assembly 1 to the outlet of the constant level control. From the hose kit take the 1000mm length of 16mm bore hose and attach to the free end of the earthed spigot. For ease of connection, first warm the end of the hose with hot water. Secure with the tie strap provided.
- Lead the free end of the hose to drain, ensuring it falls away from the Still with no kinks or bends to impede the water flow.
- Ensure that the stopcock on the constant level control is closed.

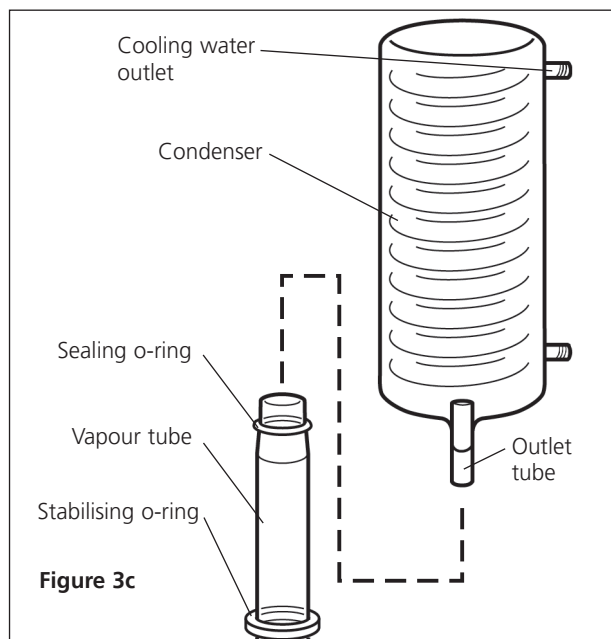


Figure 3c

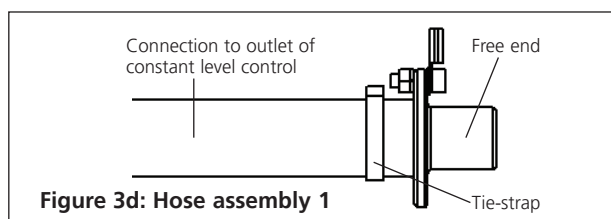


Figure 3d: Hose assembly 1

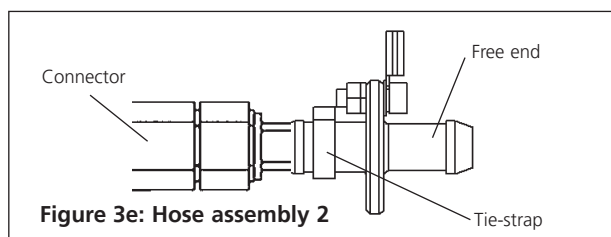


Figure 3e: Hose assembly 2

Identify the "condenser" thermostat and place the free end of its probe into the thermostat tube. Carefully bend the capillary to ensure that it does not obstruct access to the thermostat reset buttons. - see **figure 1**.

- Refer to fig. 3e. Connect the cooling water inlet of the condenser to the connector of the 8mm bore hose of hose assembly 2. Connect the free end of the earthed spigot of hose assembly 2 to the cold water feed.

Select good quality tubing and secure all connections with hose clips.

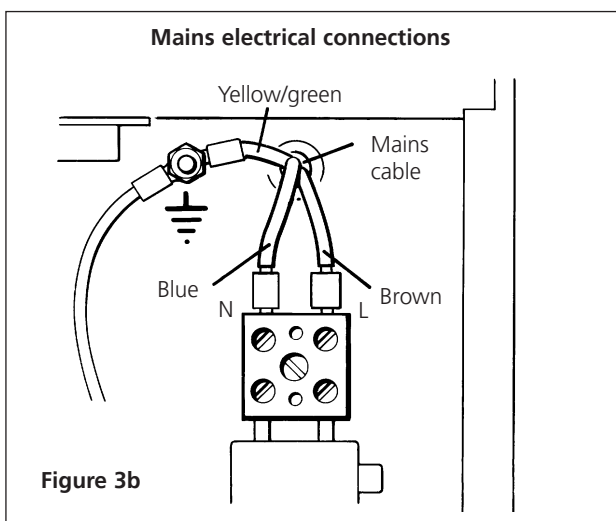


Figure 3b

- Assemble the condenser thermostat tube A515414 connecting cap QC18/11, silicone rubber ring QR18/7 as shown in **figure 4a**. If the cap is left loose the assembly may now be carefully slid over the air vent on the distillate outlet - see **figure 4a**. Tighten up the cap once the tube is in place.

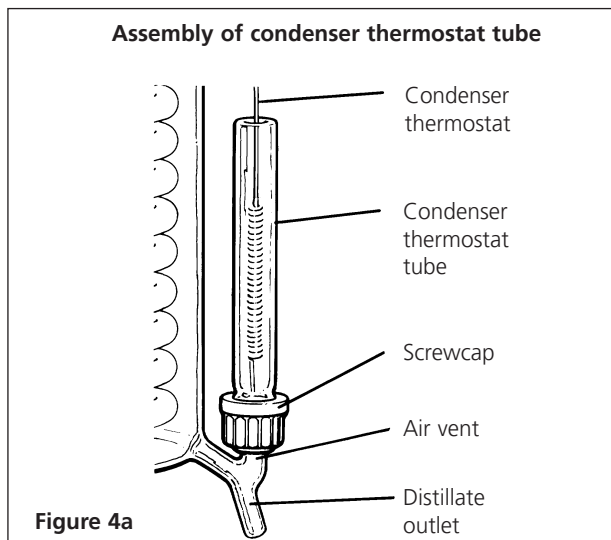


Figure 4a

- Connect the distillate outlet of the condenser to a suitable collection reservoir, using a suitable length of 9mm tubing.

A glass reservoir system is available from Cole-Parmer (Catalogue No. WR20). Please contact the sales office for details.

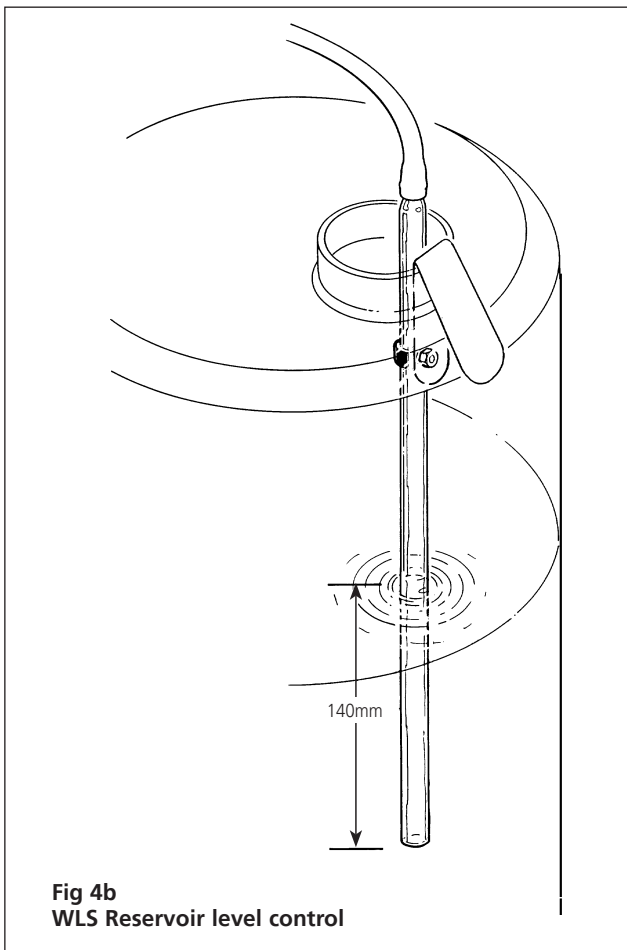
- Replace the end panel on to the unit.
- Take the reservoir control WLS and push the free end of the rubber tubing onto the nozzle on the left hand end of the unit - see **figure 1**.

Use the clip provided to mount the glass pressure bell in the neck of the distillate reservoir.

Adjust the height of the pressure bell so that the open end is approx. 140mm below the maximum distillate level.

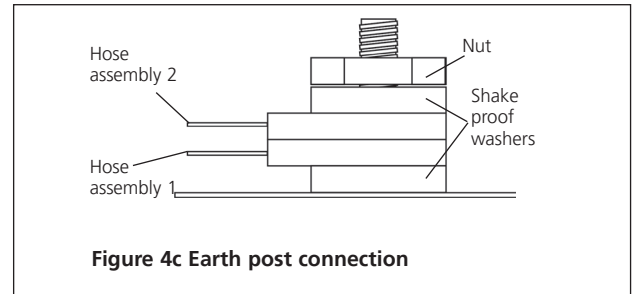
Fitting the Reservoir Control WLS to Collection Vessels

- Position the distillate collection reservoir in a suitable location. This should be below the water still so that the vinyl rubber tubing transporting the distilled water from the still can fall down to the reservoir without restrictions, kinks or U bends.
 - Take the Reservoir Level Control WLS and connect the free end of the rubber tubing to the nozzle, of the reservoir pressure switch located on the side of the stand.
 - Use the metal clip to fit the glass pressure bell inside the distillate collection reservoir. Refer to fig. 4b.
 - Position the bell so that the open end is 140mm below the desired distillate level.
- Ensure that the earthed spigot wires are connected to the earth point see fig 1.
 - Turn on the water supply to fill boiler and check for leaks then turn off the water supply.



Replacing earthed hose assemblies

- For hose assembly 1 follow fitting instruction 9.
- Ensure that the earth wire is connected correctly to the earth post - see figs 1 and 4c.
- For hose assembly 2, please follow fitting instruction 13.
- Ensure that the earth wire is connected to the earth post - see figs. 1 and 4c.



Electrical installation



THIS EQUIPMENT MUST BE EARTHED!

The electrical installation should be carried out by a qualified electrician. The following method is recommended.

The earthed spigots should pass a high current (i.e. >200mA) earth continuity test.

The equipment is supplied with 1.5m of PVC/PVC flexible, triple core, circular cable with the following specification, 1.5mm² to BS 6500 or equivalent and <HAR> or BASEC approved.

The cable gland is designed to accept cable whose diameter is >7.0mm and <10.5mm. It is recommended that, at the connection to the mains electrical supply, there is fitted a 30mA RCD circuit breaker with a continuous current carrying capacity of 15 amps at 250V, and rated at an overcurrent protection level of 15A. These devices should be sited near to the equipment and be clearly marked "Disconnect device for 'Distinction' Water Still".

NOTE: Do not connect to electricity supply with a 13 amp plug.

Cable connections are shown in **figures 3a** and **3b**. Connect to the line supply noting that the wires in the instrument lead are coloured in accordance with the following code:

Blue - Neutral
Brown - Live
Green & Yellow - Earth

Mains Cable Replacement

If the mains cable requires replacement, only cable with the specification given above should be used.

For live and neutral leads use bootlace crimps, size 1.5mm, with a performance conforming to BS 4G178 part 1, 1984 and part 2, 1986.

For the earth lead use 1.5mm, M4 eyelet crimps with a performance conforming to BS 4G178 part 1, 1984 and part 2, 1986. A suitable crimp tool should be used.

Operation

- Turn on the cold water supply and adjust the flow to approx. 60 l/hr. Observe that the water flows via the condenser and into the boiler. Wait until the boiler has attained its correct operating level and make sure that the excess water is flowing freely to drain.

2. Switch on the heating element. The on/off switch is located on the front panel - see **figure 1**.
3. After a few minutes the water will start to boil and distillate will emerge from the condenser. With new glassware, or after cleaning, it is advisable to allow this to run to drain for approximately 30 minutes before beginning collection.
4. To turn off the still, first turn off the heating element but allow cooling water to continue for a further 10 minutes to allow the Still to cool.

WARNING!

Do not use this equipment to distil any liquid other than water.

Safety cut-outs

The Distinction Water Still is protected by the following safety cut-outs:

1. **Reservoir level control**
This should be positioned in the collecting reservoir (see "Assembly") and turns off the heating element when the reservoir is full.
2. **Condenser thermostat**
Mounted in the condenser's distillate outlet. Should the water supply be interrupted steam will begin to emerge from the condenser causing the thermostat to operate and turn off the electricity supply to the heating element.
3. **Boiler thermostat**
Mounted in the boiler above the heating element. Should the boiler water level fall and expose the element the thermostat will operate and turn off the electricity supply to the element.

After operation of either of the thermostats, normal operation may be resumed by resetting the thermostat by means of their respective reset buttons mounted on the right hand end panel of the electrical compartment.

Remove the black plastic cover and then press the red button - a slight click will be heard if the thermostat had operated.



Before resetting either thermostat the still should be allowed to cool completely and the cause of the cut-out operation identified and rectified.

If the thermostats continue to operate, consult a qualified electrician or the Technical Service Department of Cole-Parmer.

Care and maintenance

N.B. Before commencing any maintenance, cleaning or fault finding the equipment should be isolated from the mains electricity supply. These operations should only be carried out by suitably qualified personnel.

Only spare parts supplied or approved by Cole-Parmer or its agent should be used. Fitting of non-approved parts may affect the performance or safety of the equipment.

Cleaning

Over a period of operation scale will build up inside the boiler. To obtain optimum performance this scale should be removed on a regular basis.

Please note that scale can build up both in the neck and main body of the boiling chamber.

The time span between cleaning depends greatly on the hardness of the water and the amount of use. Frequently used stills in hard water areas may need descaling once a week whereas in a soft water area several weeks may elapse before descaling is necessary.

N.B. Heavy scaling will reduce distilled water quality and can shorten the life of the heating element.

It is possible to descale the Distinction Water Still without dismantling the glassware by following these instructions in conjunction with Control of Substances Hazardous to Health regulations (COSHH) 1988:

1. Switch off the electricity supply to the still and allow it to cool completely.
2. Turn off the cooling water supply.
3. Open the stopcock on the constant level control and allow the boiler to drain completely. Close stopcock.
4. Turn on the cooling water supply and allow the boiler to fill to approximately half way to its normal operating level. Turn off the water supply.
5. Into the open funnel of the constant level control carefully add about 100ml of 10% formic acid or kettle descaler.

WARNING!

ALWAYS HANDLE STRONG ACIDS WITH GREAT CARE. PROTECTIVE CLOTHING, GLOVES AND FACE-MASKS SHOULD BE WORN DURING THE DESCALING OPERATION. REMOVE ANY ACID SPILLS IMMEDIATELY.

Turn on the water supply and fill the boiler to the normal operating level. The water will flush the acid into the boiler. The water supply should be turned off when the level in the boiler is slightly below the overflow.

6. Leave the acid in the boiler to dissolve the scale. This may take some time depending on the severity of the build-up.
7. Open the stopcock and allow the boiler to drain.
Note: If the acid in the boiler has not been completely neutralised the liquid flowing to drain may be highly acidic. All necessary safety precautions should be observed around the drain and any effluent control procedures followed.
8. Close the stopcock, turn on the water and allow the boiler to fill with cold water. Turn off the water, re-open the stopcock and allow the boiler to drain.
Repeat this procedure three times.
9. The Distinction Water Still may now be restarted by referring to the instructions given under "Operation" in this manual.

Note: The stand and outer surfaces of the glassware should be cleaned using a damp cloth and a mild detergent solution.

Heater replacement

1. Isolate the Still from the electricity supply.
2. Clean the heater and boiler if they are heavily scaled by following the cleaning instructions given in this manual.
3. It will be found easier to replace the heater by working with the boiler "on the bench".

Therefore:

- ❖ Drain the boiler via the stopcock.
- ❖ Remove the end panel.
- ❖ Disconnect the heater cable.
- ❖ Disconnect all water hoses.
- ❖ Remove the condenser.
- ❖ Remove the boiler, complete with heater, from the stand.
- ❖ Unscrew the 3 bolts securing the heater and withdraw the heater from the boiler.
- ❖ Remove the aluminium plate and silicone rubber ring from the heater.

4. Now fit a new heater as described in assembly instruction number 4.

N.B. Examine the silicone ring and replace if not in good condition.

5. Re-assemble the Still by following the assembly instructions.
6. Ensure the earthed pipe kits are earth bonded to the chassis using the provided earth bond wires.

Note: Heater element is not covered by the 3 year warranty. It is only guaranteed for 1 year.

List of spare parts

The following components are available from most laboratory suppliers. In case of difficulty please contact Cole-Parmer.

Component	Catalogue No.	Component	Catalogue No.
Boiler	D4000/B	Boiler thermostat	WT4
Condenser	WC48/M2	Condenser thermostat	W14TS
Heating element 240V	D240H	Reservoir level control pressure switch	DPS
Heating element 220V	D220H	On/Off switch	D4000/SW
Hose kit	W4000/HK	Boiler O rings	Top WB48/01
Gasket kit	D4000/GK		Bottom QR38/24
Boiler thermostat tube	WTT48	Heater sealing ring	QR38/24
Condenser thermostat tube	A515414	Earthed pipe kit	D4000/EK
Plastic connecting caps	QC18/11	Silicone rubber rings	QR18/7 and QR18/10
Reservoir level control	WLS		

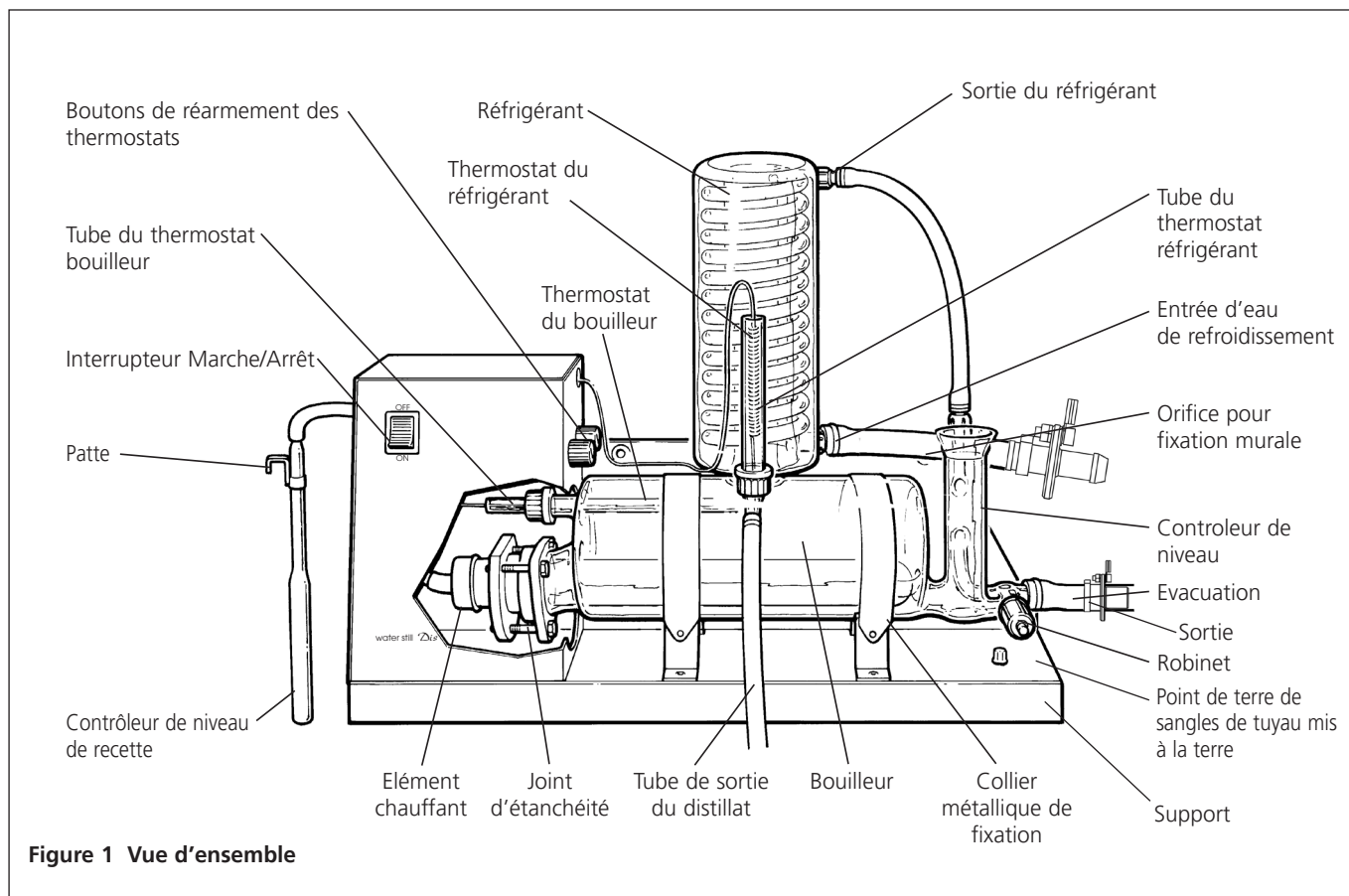
Fault finding

In the event of operating difficulties with your Distinction Water Still, please consult the following notes. If these fail to identify and remedy the fault you are advised to contact your supplier or the Technical Service Department of Cole-Parmer.

Symptom	Cause	Remedy
Heater not working	a) Burnt out heater b) Failed electricity supply c) Thermostat operated	Replace heater Restore supply Identify and rectify the cause and reset thermostat
Water level in boiler is too low - heater exposed	a) Supply of cooling water is insufficient b) Boiler drain stopcock left open	Adjust the supply to approximately 60 l/hr Close stopcock
Water level in boiler is too high - e.g. water surging into condenser	a) Flow of cooling water is too high b) Drain is restricted	Adjust the supply to approximately 60 l/hr Ensure drain pipe falls freely from Still with no kinks
Distillate temperature is too high - e.g. >50°C	Supply of cooling water is insufficient	Adjust the supply to approx 60 l/hr
Water in boiler is "pumped" out of the boiler to drain	a) Tubing from condenser distillate outlet to the reservoir is constricted b) Mounting for condenser thermostat is blocked c) Supply of cooling water is insufficient	Ensure tubing falls freely from Still with no kinks Remove obstruction Adjust the supply to approximately 60 l/hr
Distillate quality is poor*	Boiler heavily scaled	Clean boiler
Output less than 4 l/hr	Mains electricity supply below nominal voltage	–
Persistent tripping of the RCD	The integrity of the heater	Replace the RCD

*Distillate quality when measured by pH or conductivity is greatly affected by temperature and the presence of absorbed carbon dioxide.

Distillateur d'eau D4000/D4000-Euro



Avant utilisation

Si l'appareil n'est pas utilisé dans les conditions décrites ci-après, la sécurité d'utilisation pourrait s'en trouver altérée.

N.B. Le distillateur d'eau D4000 est classé dans la catégorie des appareils branchés en permanence. Il doit être relié à l'alimentation électrique par un électricien qualifié selon les instructions de ce manuel. Il ne doit pas être relié à une prise de courant classique, pur rester en conformité avec le norm IEC 1010.

Le distillateur d'eau D4000 est conçu pour fonctionner dans les conditions suivantes:

- ❖ A l'intérieur d'une pièce uniquement
- ❖ Température ambiante comprise entre +5°C et +40°C
- ❖ Altitude inférieure à 2000m
- ❖ Taux d'humidité relative inférieure à 80%
- ❖ Variation de voltage de l'alimentation électrique inférieure à ±10% de la valeur nominale
- ❖ Catégorie de survoltage II IEC 60364-4-443
- ❖ Degré de pollution II IEC 664

Emplacement

Le distillateur D4000 peut être installé sur une paillasse ou fixé au mur. Choisir un emplacement à proximité des dispositifs suivants:

Alimentation électrique:

Avant de connecter l'appareil, vérifier que l'alimentation électrique est correcte. Deux modèles de distillateurs DISTINCTION sont disponibles. Modèle D4000 pour alimentation électrique 3KW 220-240 V, 50/60 Hz monophasé et modèle D4000/EURO pour alimentation électrique 3KW, 210-230 V, 50/60 Hz monophasé. Toutes les unités devraient être reliées à l'alimentation électrique par a double 30mA RCD l'isolement du disjoncteur a évalué à 15A

Alimentation en eau:

Source d'eau froid capable de fournir un débit minimum de 60 l/hr.

Evacuation:

Dispositif d'évacuation ou évier situé en dessous de l'appareil de façon à ce que le tuyau d'évacuation d'eau ne présente aucun coude. L'ensemble des systèmes de purge et des alimentations en eau doit être correctement mis à la terre.

Réservoir de recette:

Un réservoir de recette du distillat pourra être installé sous l'appareil.

Montage

1. Déballe le distillateur et identifier les composants suivants:

Qte	Designation	Reference
1	Support	-
1	Bouilleur	754.31
1	Réfrigérant	753.61
1	Elément chauffant pour D4000/EURO (ou Elément chauffant pour D4000)	754.32
1	Jeu de tuyaux	-
1	Jeu de colliers por élément chauffant	754.34
1	Tube de thermostat du bouilleur	753.36
1	Tube de thermostat du réfrigérant	756.42
2	Capuchons plastiques	701.83
2	Anneaux silicones	701.84
1	Rondelle PTFE	701.85
1	Contrôleur de niveau de recette	753.75

2. Retirer le capot latéral du compartiment électrique enlevant les vis de fixation.

3. Placer le support métallique à l'emplacement choisi. Deux orifices de fixation sont prévus sur le support pour un montage mural.



En cas de montage mural, vous devez vous assurer d'utiliser des fixations murales appropriées pouvant supporter un poids minimum de 80 kg. Demandez conseil à un professionnel en cas de doute.

4. Prendre le bouilleur, l'élément chauffant et le jeu de colliers, et assembler selon la **figure 2**.
 - i) Insérer les boulons au travers du collier métallique et le placer autour du tube évasé du bouilleur.
 - ii) Enrouler le collier en fibre et l'insérer entre le tube évasé et le collier métallique. Le pliage du collier en fibre est plus facile après trempage dans l'eau. Tirer le collier métallique et le collier en fibre vers l'extrémité du bouilleur de façon à ce qu'ils exercent une pression sur le tube évasé.
 - iii) Enfiler la plaque aluminium et l'anneau silicone sur l'élément chauffant jusqu'à 40-45 mm de l'extrémité munie du câble électrique.
 - iv) Insérer l'élément chauffant dans le bouilleur au travers du tube évasé. Vérifier que l'extrémité de l'élément chauffant n'exerce aucune pression sur la paroi latérale interne du bouilleur.
 - v) Visser sans trop serrer les boulons sur la plaque d'aluminium.
 - vi) Assurez-vous que le thermoplongeur est à l'horizontale dans le bouilleur.

5. Fixer les 2 colliers métalliques de maintien du bouilleur sur les encoches arrières des pattes arrondies supportant le bouilleur. Placer le bouilleur sur les pattes arrondies du support. Insérer la sonde du thermostat du bouilleur dans le tube en verre. Faire glisser le bouilleur latéralement de façon à ce que l'extrémité de l'élément chauffant se trouve à l'intérieur du compartiment électrique.

N.B. Un "pointeau" en verre situé sous le bouilleur pénètre dans une encoche située sur la patte arrondie droite, quand le bouilleur est en bonne position.

Fixer les 2 colliers métalliques de maintien du bouilleur sur les encoches avant des pattes arrondies.

6. Brancher les câbles de l'élément chauffant selon la **figure 3a**.

7. Assurez-vous que les joints toriques d'étanchéité et de stabilisation sont bien positionnés (Fig. 3c). Placez le condenseur WC48/M2 en le montant dans le tube de vapeur du bouilleur. Assurez-vous que le tube de sortie de distillat du condenseur est orienté vers l'avant et que la sortie de refroidissement est parallèle à l'unité.

8. Dans le kit de flexibles, prenez une longueur de flexible de 8 mm avec les connecteurs filetés en plastique à chaque bout. Selon la figure 1, vissez un côté du flexible sur la sortie du condenseur (supérieure) et l'autre sur le filetage en verre du contrôleur de niveau constant.

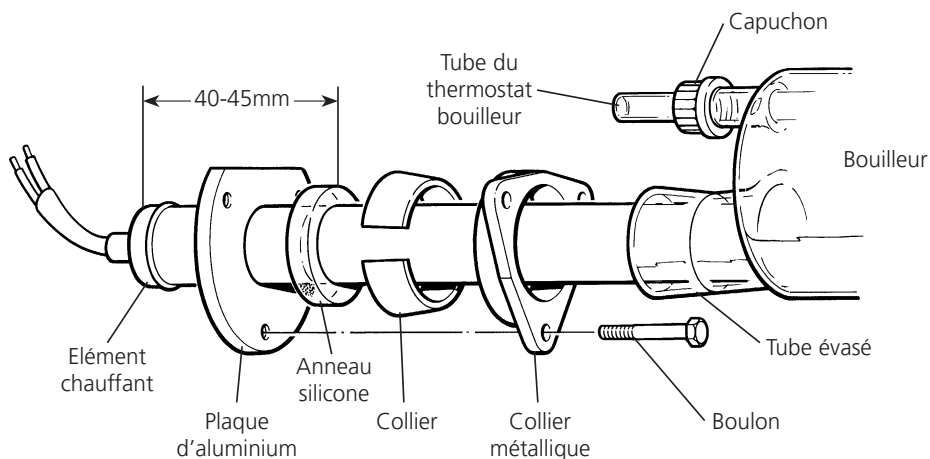
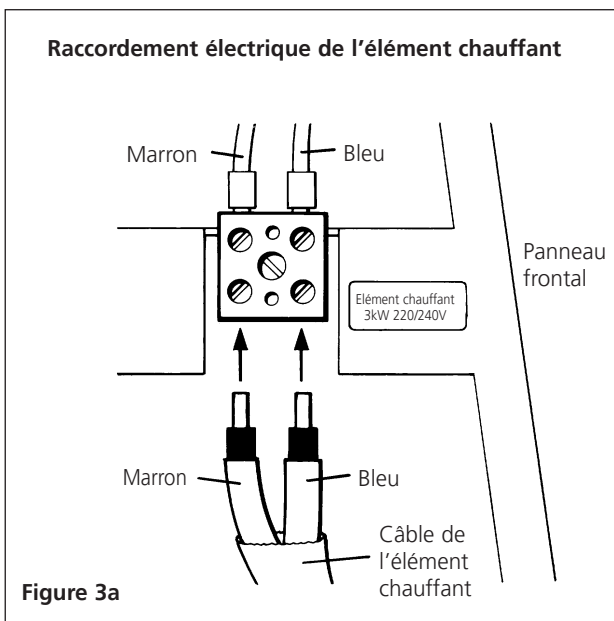


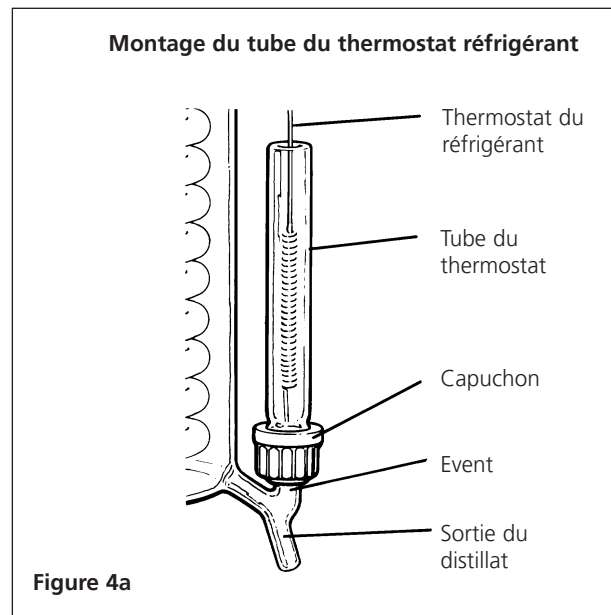
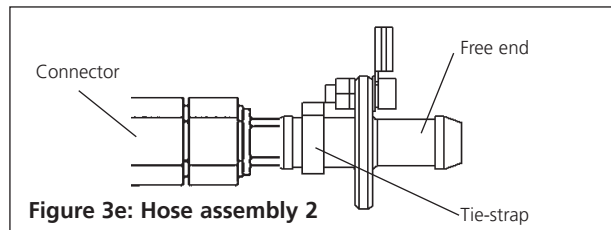
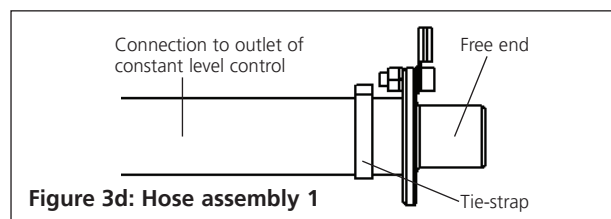
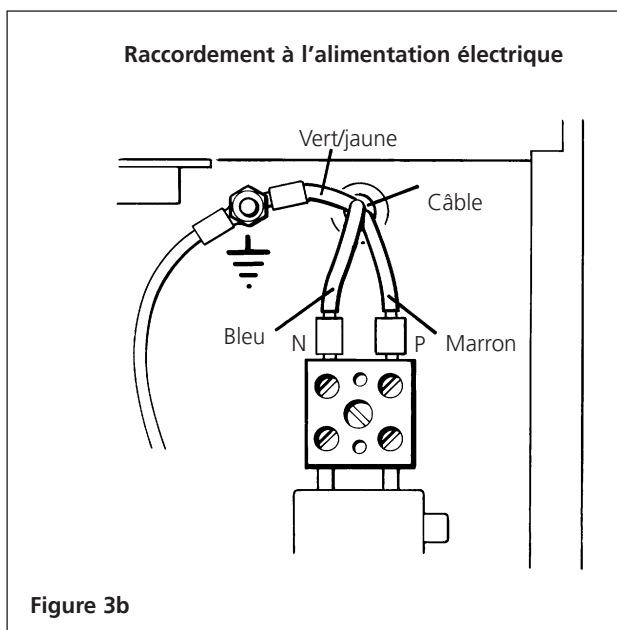
Figure 2 Montage de l'élément chauffant



9. Voir la fig. 3d. Fixez soigneusement le bout du flexible court de 16 mm de l'ensemble de flexibles 1 sur la sortie du contrôleur de niveau constant. Dans le kit de flexibles, prenez une longueur de 1 000 mm de flexible de 16 mm et fixez-le au bout libre de l'ergot de mise à la terre. Pour faciliter la connexion, chauffez d'abord le flexible avec de l'eau chaude. Fixez avec le collier fourni.
10. Placer l'extrémité libre du tuyau vers l'évacuation, en s'assurant qu'il ne présente aucun coude pouvant perturber l'écoulement de l'eau.
11. Vérifier que le robinet du contrôleur de niveau est fermé.
12. Assembler le tube du thermostat du réfrigérant, le capuchon plastique et l'anneau silicone selon la **figure 4a**.

Le capuchon n'étant pas complètement vissé, glisser délicatement le tube sur l'évent de la sortie du distillat. Visser alors le capuchon. Insérer la sonde du thermostat du réfrigérant dans le tube de verre. Tordre délicatement le fil du thermostat de façon à ce qu'il n'obstrue pas l'accès aux boutons de réarmement des thermostats. Voir **figure 4a**.

13. Voir la fig. 3e. Connectez l'entrée d'eau de refroidissement du condenseur sur le connecteur du flexible de 8 mm de l'ensemble de flexibles 2. Connectez le bout libre de l'ergot de mise à la terre de l'ensemble de flexibles 2 sur l'alimentation en eau froide.



Sélectionnez une tubulure de bonne qualité et fixez toutes les connexions avec des colliers.

14. Relier par un tuyau de diamètre 9 mm la sortie du distillat au réservoir de recette.
15. Remonter le panneau latéral.
16. Prendre le contrôleur du niveau de recette et enfiler l'extrémité du tuyau caoutchouc sur la tétine située sur le panneau latéral. Voir **figure 1**.

Utiliser éventuellement la patte pour fixer la sonde au bord du réservoir de recette.

Régler la hauteur de la sonde pour que son extrémité libre se situe environ 140 mm en dessous du niveau maximum de distillat.

Montage du contrôleur de niveau de réservoir WLS sur les conteneurs de recette

1. Positionnez le réservoir de recette de distillat à un endroit approprié. Il doit être plus bas que le distillateur d'eau afin que la tubulure caoutchouc en vinyle transportant l'eau distillée depuis le distillateur puisse descendre dans le réservoir sans restrictions, sans nœuds et sans coudes.
2. Prenez le contrôleur de niveau du réservoir WLS et connectez l'extrémité libre de la tubulure caoutchouc sur la buse (élt. 13) du pressostat du réservoir situé dans l'armoire.

3. Avec le clip métallique, fixez la cloche à pression en verre dans le réservoir de recette de distillat. Voir la fig. 4b.
4. Positionnez la cloche pour que le bout ouvert soit à 140 mm sous le niveau de distillat voulu.

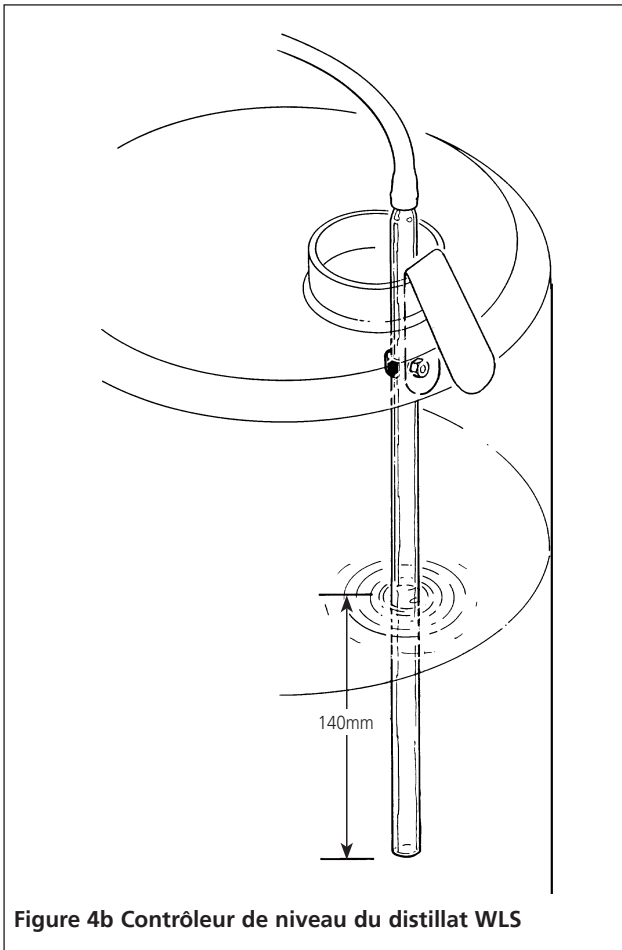


Figure 4b Contrôleur de niveau du distillat WLS

Remplacement des ensembles de flexibles mis à la terre

1. Pour l'ensemble de flexibles 1, suivez l'instruction de montage 9.
2. Assurez-vous que le fil de terre est bien connecté au point de terre - voir fig. 1 et 4c.
3. Pour l'ensemble de flexibles 2, suivez l'instruction de montage 13.
4. Assurez-vous que le fil de terre est connecté au point de terre - voir fig. 1 et 4c.

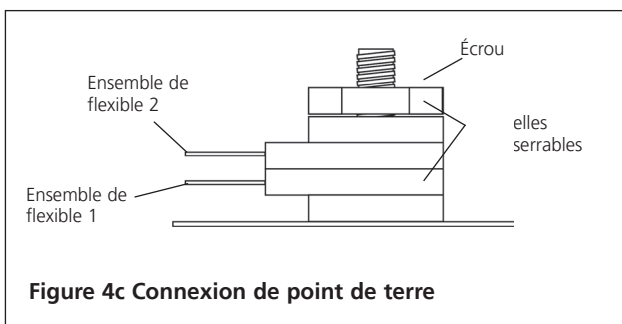


Figure 4c Connexion de point de terre

Installation électrique



CET APPAREIL DOIT ETRE RELIE A LA TERRE!

L'installation électrique doit être effectuée par un électricien qualifié. Nous vous recommandons de suivre la procédure suivante:

L'appareil est livré avec un câble PVC/PVC flexible de 1,5 m, de section 3 x 1,5 mm répondant aux normes BS 6500 <HAR> et BASEC.

Le presse étoupe peut accepter des câbles de diamètres compris entre 7 mm et 10,5 mm.

Connectez l'alimentation principale avec un disjoncteur bipolaire de 30 mA à isolation RCD (courant résiduel) d'une capacité de transport de courant continu de 30 A à 250 V et une protection contre les surintensités de 30 A.

Ces protections doivent être placées près de l'appareil et clairement signalisées.

Voir **figure 3a** et **3b** pour la connexion du câble électrique.

Connecter le câble électrique de la manière suivante:

- bleu - neutre
- marron - phase
- jaune/vert - terre

Remplacement du Câble D'Alimentation Electrique

Si le câble d'alimentation électrique nécessite un remplacement, n'utiliser qu'un câble ayant les mêmes spécifications que celles citées ci-dessus, et fixer le câble de la manière suivante:

- 1) Pour la phase et le neutre, utiliser des cosses à sertir de diamètre 1,5 mm répondant aux normes BS 4 G 178 point 1, 1984 et point 2, 1986.
- 2) Pour la terre, utiliser un oeillet à sertir de taille M 4 / 1,5 mm répondant aux normes BS 4 G 178 point 1, 1984 et point 2, 198. Une pince à sertir est nécessaire.

Mise en route

1. Ouvrir le robinet d'alimentation en eau froide et régler le débit à 1 l/mn environ. L'eau doit circuler à travers le réfrigérant. Attendre que le niveau d'eau dans le bouilleur soit stable. Vérifier que l'eau s'écoule normalement vers l'évacuation.
2. Allumer l'élément chauffant via l'interrupteur Marche/Arrêt située sur le panneau frontal.
3. Après quelques minutes, l'eau commence à bouillir et le distillat s'écoule du réfrigérant. A la mise en route ou après nettoyage, nous vous conseillons d'attendre 30 mn avant de récupérer le distillat.
4. Pour arrêter l'appareil, couper d'abord l'élément chauffant via l'interrupteur. Attendre ensuite 10 mn avant de couper l'alimentation en eau, afin de permettre à l'appareil de refroidir.

ATTENTION!

CET APPAREIL NE DOIT PAS ETRE UTILISE POUR DISTILLER D'AUTRES LIQUIDES QUE L'EAU.

Securités

Le distillateur d'eau D4000 est protégé par les dispositifs de sécurité suivants:

1. **Contrôleur du niveau de recette**
Il doit être placé dans le réservoir de recette (voir "Montage"). Il coupe l'élément chauffant quand le réservoir est plein.
2. **Thermostat du réfrigérant**
Il est monté sur le tube de sortie du distillat. En cas de rupture de l'alimentation en eau, de la vapeur est générée au niveau du réfrigérant. Le thermostat se met alors en fonctionnement et coupe l'alimentation électrique de l'élément chauffant.
3. **Thermostat du bouilleur**
Il est situé dans le bouilleur, au-dessus de l'élément chauffant. En cas de baisse du niveau d'eau dans le bouilleur, le thermostat se met en fonctionnement et coupe l'alimentation électrique de l'élément chauffant.

Après fonctionnement de l'un ou l'autre des thermostats, la remise en route de l'appareil s'effectue en appuyant sur les boutons de réarmement situés sur le panneau latéral droit du compartiment électrique.

Enlever le capuchon plastique noir et appuyer sur le bouton rouge. Vous pourrez entendre alors un dé clic témoignant que le réarmement est effectué.



AVANT DE REARMER UN THERMOSTAT, LAISSER REFROIDIR L'APPAREIL ET IDENTIFIER LA CAUSE DE SA MISE EN FONCTIONNEMENT.

Si le thermostat continue de se mettre en route, consulter un électricien qualifié ou le service technique de Cole-Parmer.

Entretien et maintenance

NB : Avant toute opération d'entretien ou de maintenance, isoler l'appareil de l'alimentation électrique. Cette opération doit être effectuée par un personnel qualifié.

Seules les pièces détachées fournies ou approuvées par Cole-Parmer ou ses revendeurs devront être utilisées. L'utilisation de pièces détachées non approuvées peut diminuer les performances ou la sécurité de l'appareil.

Nettoyage

Après un certain temps de fonctionnement, du tartre peut se déposer à l'intérieur du bouilleur. Afin d'assurer le bon fonctionnement de l'appareil, le tartre devra être éliminé régulièrement.

L'intervalle de temps entre deux nettoyages dépend de la dureté de l'eau d'alimentation. Dans les régions où l'eau est très dure, il peut s'avérer nécessaire de nettoyer le distillateur toutes les semaines. Dans les régions où l'eau est plus douce, plusieurs semaines peuvent s'écouler entre deux opérations de nettoyage.

NB : Un entartrage important réduira la qualité de l'eau distillée et la durée de vie de l'élément chauffant.

Il est possible de détartrer l'appareil sans démonter la verrerie, en respectant les instructions suivantes.

1. Arrêter l'appareil avec l'interrupteur et laisser le refroidir complètement.
2. Arrêter l'alimentation en eau.
3. Ouvrir le robinet du contrôleur de niveau pour vider complètement le bouilleur. Fermer ensuite le robinet.

4. Ouvrir l'alimentation en eau pour remplir le bouilleur à la moitié de son niveau normal de fonctionnement.

Arrêter l'eau.

5. Ajouter 100ml d'acide chlorhydrique concentré par l'entonnoir du contrôleur de niveau du bouilleur.

ATTENTION!

IL FAUT TOUJOURS MANIPULER LES ACIDES AVEC PRUDENCE. DES VETEMENTS DE PROTECTION, DES GANTS ET DES MASQUES FACIAUX DEVRONT ETRE UTILISES LORS DES OPERATIONS DE NETTOYAGE. NETTOYER IMMEDIATEMENT TOUTE ECLABOUSSURE D'ACIDE.

Ouvrir l'alimentation d'eau pour remplir le bouilleur jusqu'à son niveau normal de fonctionnement. Fermer l'alimentation d'eau avant que le mélange acide ne se déverse à l'égout par le trop-plein.

6. Laisser agir l'acide qui doit dissoudre les dépôts de tartre. Le temps nécessaire dépend du degré d'entartrage.
7. Ouvrir le robinet de vidange afin de vider complètement le bouilleur.

NOTE : Si l'acide dans le bouilleur n'a pas été complètement neutralisé, l'eau de vidange peut s'avérer être fortement acide. Prendre les précautions nécessaires au niveau de l'évacuation.

8. Fermer le robinet de vidange et remplir le bouilleur d'eau. Vidanger le bouilleur en ouvrant le robinet. Répéter 2 à 3 fois cette opération de rinçage.
9. Le distillateur d'eau D4000 peut alors être réutilisé selon les instructions du chapitre "Mise en route" de ce manuel.

Note : Le support et les surfaces externes de verrerie doivent être nettoyées avec un chiffon humide et un détergent doux.

Remplacement de l'élément chauffant

1. Isoler l'appareil de l'alimentation électrique.
2. En cas d'entartrage, nettoyer l'élément chauffant et le bouilleur selon les instructions du chapitre "Nettoyage".
3. Il est plus facile de remplacer l'élément chauffant après dépose du bouilleur.

Pour cela :

- ❖ Vider le bouilleur.
- ❖ Retirer le panneau latéral.
- ❖ Débrancher les câbles de l'élément chauffant.
- ❖ Retirer le réfrigérant.
- ❖ Retirer le bouilleur complet du support.
- ❖ Dévisser les 3 boulons et retirer l'élément chauffant du bouilleur.
- ❖ Retirer la plaque d'aluminium et le joint silicone du bouilleur.

4. Monter un nouvel élément chauffant selon le paragraphe 4 du chapitre "Montage".

NB : Vérifier l'état du joint silicone et remplacer si nécessaire.

5. Remonter l'appareil selon les instructions du chapitre "Montage".

La garantie n'inclut pas l'élément chauffant qui est, quant à lui, garanti 1 an.

Liste des pièces détachées

Les pièces détachées suivantes sont disponibles auprès de votre revendeur.

Designation	Reference	Designation	Reference
Support	–	Contrôleur de niveau de recette	753.75
Bouilleur	754.31	Thermostat du bouilleur	753.85
Réfrigérant	753.61	Thermostat du réfrigérant	756.43
Élément chauffant 220V pour D4000/EURO	754.32	Pressostat du contrôleur de niveau de recette	754.33
Élément chauffant 240V pour D4000	–	Interrupteur Marche/Arrêt	754.35
Jeu de tuyaux	–	Joint haut du tube vapeur	753.68
Jeu de colliers de fixation	754.34	Joint bas du tube vapeur	756.75
Tube du thermostat bouilleur	753.36	Anneau d'étanchéité de l'élément chauffant	756.75
Tube du thermostat réfrigérant	756.42		
Capuchons plastiques	701.83		
Anneaux silicone	701.84		

Incidents de fonctionnement

En cas d'incidents de fonctionnement consulter le tableau ci-dessous.

Dans le cas où ces informations ne permettraient pas d'identifier et de résoudre le problème constaté, consulter votre fournisseur ou les services techniques de Cole-Parmer.

Nature de L'incident	Cause	Solution
L'élément chauffant ne chauffe pas	a) Élément chauffant défectueux b) Rupture d'alimentation électrique c) Mise en route du thermostat	Remplacer l'élément chauffant Rétablir l'alimentation Identifier la cause et réarmer le thermostat
Niveau d'eau dans le bouilleur trop bas. Élément chauffant non immergé	a) Débit d'eau de refroidissement trop faible b) Robinet de vidange ouvert	Régler de débit à 60 l/h environ Fermer le robinet
Niveau d'eau dans le bouilleur trop haut ex : l'eau chaude monte vers le réfrigérant	a) Débit d'eau de refroidissement trop élevé b) l'évacuation d'eau se fait mal	Régler le débit à 60 l/h environ Vérifier que le tuyau d'évacuation ne présente aucun coude
La température du distillat est trop élevée (ex : / 50°C)	Débit d'eau de refroidissement trop faible	Régler le débit à 60 l/h environ
L'eau du bouilleur est "pompée" vers l'évacuation	a) L'évacuation du distillat vers le réservoir se fait mal b) Event obstrué par la sonde du thermostat réfrigérant c) Débit d'eau de refroidissement insuffisant	Vérifier que le tuyau de sortie du distillat ne présente aucun coude Dégager l'évent Régler le débit à 60 l/h environ
Mauvaise qualité du distillat*	Bouilleur entartré	Nettoyer le bouilleur
Débit inférieur à 4 l/h	Alimentation électrique inférieure au voltage requis	–
Déclenchement persistant du RCD	Intégrité du thermoplongeur	Remplacez le RCD

*Lorsque la qualité du distillat est contrôlée par les mesures de PH ou de conductivité, les valeurs mesurées sont dépendantes de la température et de la présence d'oxyde de carbone.

CE This product meets the applicable EC harmonised standards for radio frequency interference and may be expected not to interfere with, or be affected by, other equipment with similar qualifications. We cannot be sure that other equipment used in its vicinity will meet these standards and so we cannot guarantee that interference will not occur in practice. Where there is a possibility that injury, damage or loss might occur if equipment malfunctions due to radio frequency interference, or for general advice before use, contact the manufacturer.

CE Ce produit est conforme aux normes harmonisées de l'UE applicables aux interférences radiofréquences. Il ne doit donc pas interférer avec d'autres équipements répondant aux mêmes directives, ni être affecté par eux. Comme nous n'avons pas la certitude que tout autre équipement utilisé à proximité respecte ces normes, nous ne pouvons pas garantir l'absence d'interférence dans la pratique. En cas de possibilité de blessure, dommage ou perte suite à un dysfonctionnement de l'équipement en raison d'interférences radiofréquences, ou pour tout conseil d'ordre général, veuillez contacter le fabricant.



EU Declaration of Conformity

Product	Laboratory Equipment	File Number	P225
Manufacturer	Cole-Parmer Ltd Beacon Road Stone, Staffordshire ST15 0SA United Kingdom		

This declaration of conformity is issued under the sole responsibility of the manufacturer

Object of Declaration Water Still - Distinction Range
(reference the attached list of catalogue numbers)

The object of the declaration described above is in conformity with the relevant Union Harmonisation Legislation:

Low Voltage Directive	2006/95/EC	(until 19 April 2016)
	2014/35/EU	(from 20 April 2016)
EMC Directive	2004/108/EC	
RoHS Directive	2011/65/EC	

References to the relevant harmonised standards used or references to the other technical specifications in relation to which conformity is declared:

IEC/EN 61010-1:2010	Safety requirements for electrical equipment for measurement, control and laboratory use. Part 1: General requirements.
IEC/EN 61010-2-010:2003	Particular requirements for laboratory equipment for the heating of materials.
IEC/EN 61326-1:2006	Electrical equipment for measurement, control and laboratory use. EMC requirements. Part 1: General requirements (Class A).

Signed for and on behalf of the above manufacturer

Additional Information Year of CE Marking: 2001

Place of Issue Stone, Staffordshire, UK

Date of Issue June 2009. Revised 06 February 2017

Authorised Representative Carl Warren

Title Technical Manager

Signature



Cole-Parmer Ltd.

Beacon Road,
Stone,
Staffordshire,
ST15 0SA,
United Kingdom
Tel: +44 (0)1785 812121
Email: cpinfo@coleparmer.com
Web: www.stuart-equipment.com

Distribué par
Le Laborantin
www.laborantin.com
clients@laborantin.com